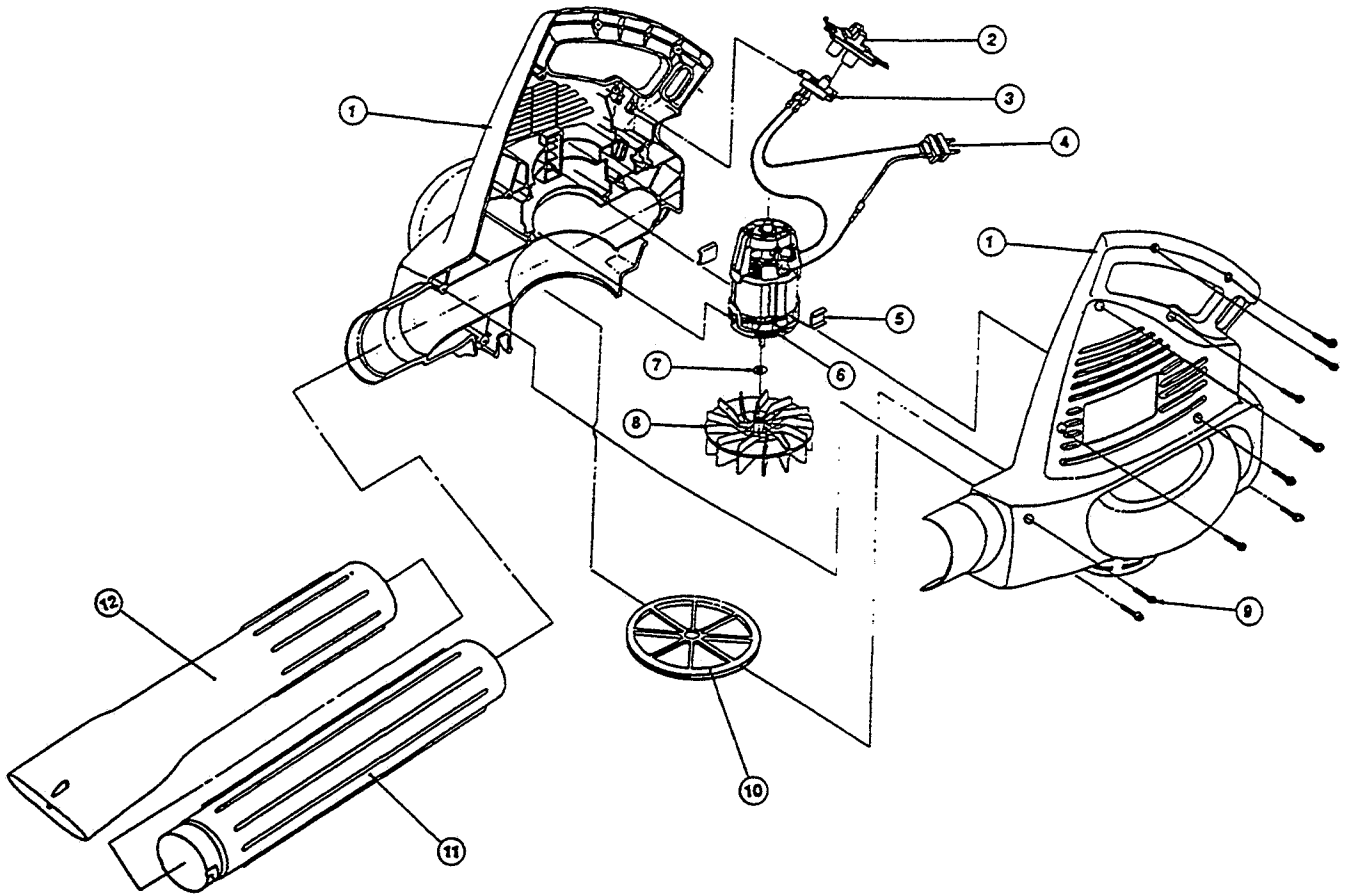


ELECTRIC BLOWER PARTS - IDC 160



Item	Part No.	Description
1	180499	Housing Set
2	180500	Switch Cover
3	180501	Switch
4	180502	Power Cord
5	180503	Motor Pad
6	180504	Motor

Item	Part No.	Description
7	180505	Washer
8	180506	Impeller
9	180300	Screw (11-pack)
10	180507	Inlet Cover
11	180468	Blower Tube
12	180469	Nozzle

The above part numbers are for serial numbers 204042651 and greater.